



Model Number

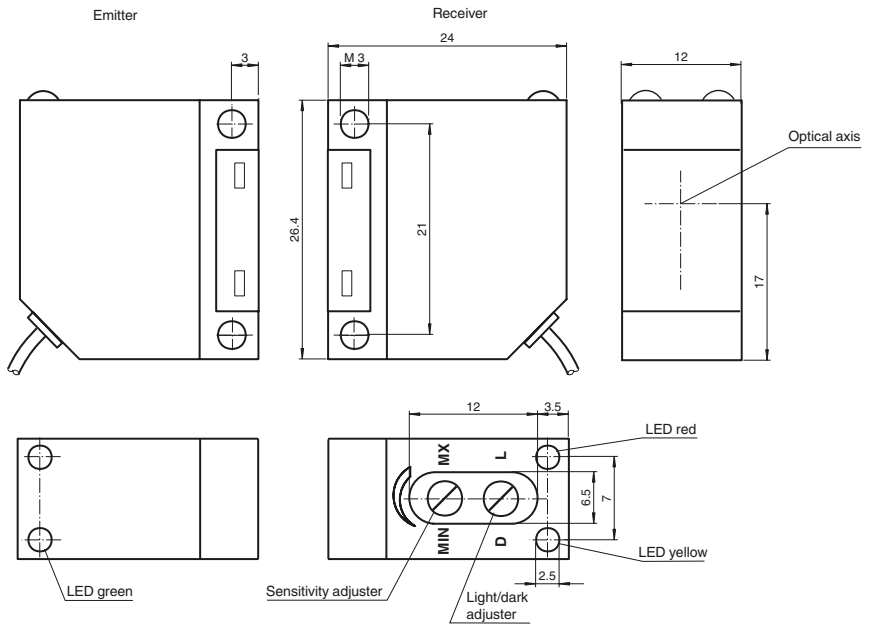
M5/MV5/32/115

Thru-beam sensor
with fixed cable

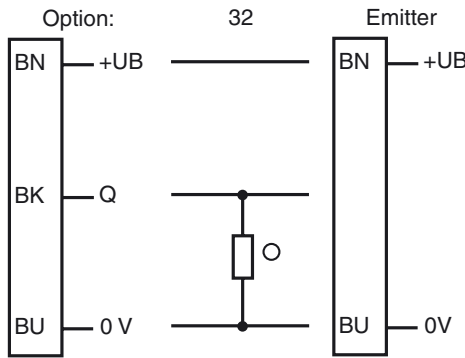
Features

- Miniature design
- Infrared light design
- Light/dark ON, switchable
- Pre-fault indication
- Protection degree IP67

Dimensions



Electrical connection



- = Light on
- = Dark on

Release date: 2011-03-07 15:20 Date of issue: 2011-03-07 800572_ENG.xml

Technical data**System components**

Emitter	M5/115
Receiver	MV5/32/115

General specifications

Effective detection range	0 ... 5000 mm
Threshold detection range	7000 mm
Light source	IREL
Light type	modulated infrared light , 950 nm
Ambient light limit	≤ 20000 Lux sun light ≤ 5000 Lux halogen light

Indicators/operating means

Function display	LED yellow: switching state LED red: pre-fault indication
Controls	Light/Dark switch, sensitivity adjuster

Electrical specifications

Operating voltage	U_B	10 ... 30 V DC
Ripple		10 %
No-load supply current	I_0	≤ 30 mA
Time delay before availability	t_v	≤ 30 ms

Output

Switching type	light/dark on, switchable	
Signal output	1 PNP output, short-circuit protected, protected from reverse polarity, open collector	
Switching voltage	max. 30 V DC	
Switching current	max. 200 mA	
Voltage drop	U_d	≤ 2.5 V
Switching frequency	f	200 Hz
Response time		2.5 ms

Ambient conditions

Ambient temperature	-25 ... 70 °C (-13 ... 158 °F)
Storage temperature	-25 ... 70 °C (-13 ... 158 °F)

Mechanical specifications

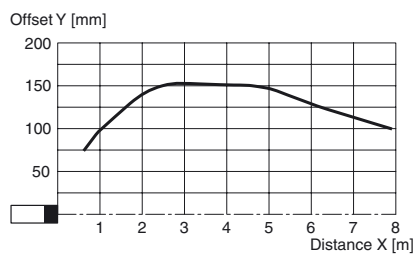
Protection degree	IP67 according to EN 60529
Connection	2 m, 3 x 0.14 mm ² , PUR cable
Material	
Housing	Polycarbonate
Optical face	PMMA
Mass	approx. 45 g (device)

Compliance with standards and directives

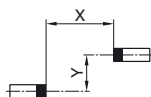
Standard conformity	
Product standard	EN 60947-5-2:2007

Approvals and certificates

UL approval	cULus Listed, Class 2 Power Source, Type 1 enclosure
CCC approval	Products with a maximum operating voltage of ≤36 V do not bear a CCC marking because they do not require approval.

Curves/Diagrams**Characteristic response curve**

Permissible distance (offset) between the optical axis of the emitter and receiver.

**Accessories****OMH-ML5**

Mounting bracket for series ML5 sensors

Additional accessories can be found in the Internet.