



Model Number

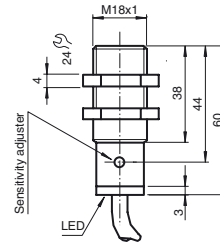
OBT200-18GM60-E4

Diffuse mode sensor
with 2 m fixed cable

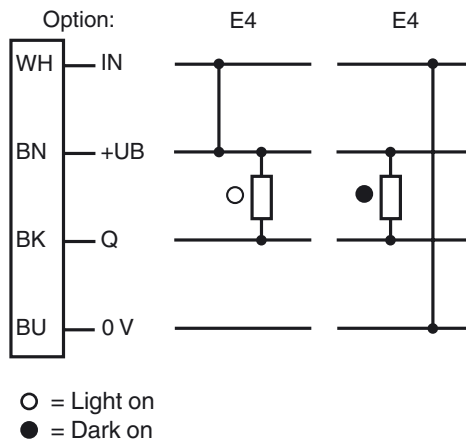
Features

- Dual color indication LED
- High switching frequency
- Light/dark ON, programmable
- Strong metallic housing in cylindrical shape M18 x 1
- Protection degree IP67

Dimensions



Electrical connection



Release date: 2011-08-25 10:11 Date of issue: 2011-08-25 087990_eng.xml

Subject to modifications without notice

Pepperl+Fuchs Group
www.pepperl-fuchs.com

USA: +1 330 486 0001
fa-info@us.pepperl-fuchs.com

Germany: +49 621 776-4411
fa-info@pepperl-fuchs.com

Copyright Pepperl+Fuchs

Singapore: +65 6779 9091
fa-info@sg.pepperl-fuchs.com

Technical data

General specifications

| | |
|----------------------------|--|
| Detection range | 0 ... 200 mm |
| Reference target | standard white 200 mm x 200 mm |
| Light source | IREDD , 880 nm |
| Light type | infrared |
| Approvals | CE, cULus Listed 57M3 (Only in association with UL Class 2 power supply; Type 1 enclosure) |
| Diameter of the light spot | approx. 40 mm at 200 mm |
| Ambient light limit | 10000 Lux |

Indicators/operating means

| | |
|-------------------|---|
| Operating display | LED green |
| Function display | Dual color-LED, yellow/green yellow: switching state green: power on flashing: stability control |
| Controls | Detection range adjuster |

Electrical specifications

| | | |
|--------------------------------|-------|--------------------------|
| Operating voltage | U_B | 10 ... 30 V DC , class 2 |
| Ripple | | 10 % |
| No-load supply current | I_0 | ≤ 25 mA |
| Time delay before availability | t_v | ≤ 25 ms |

Output

| | | |
|---------------------|---|----------|
| Switching type | light/dark on electrically switchable | |
| Signal output | 1 NPN output, short-circuit protected, reverse polarity protected, open collector | |
| Switching voltage | max. 30 V DC | |
| Switching current | max. 100 mA | |
| Voltage drop | U_d | ≤ 2.5 V |
| Switching frequency | f | ≤ 500 Hz |
| Response time | | ≤ 1 ms |

Standard conformity

| | |
|-------------|--------------|
| Standards | EN 60947-5-2 |
| Standards 2 | UL 508 |

Ambient conditions

| | |
|---------------------|--------------------------------|
| Ambient temperature | -25 ... 55 °C (-13 ... 131 °F) |
| Storage temperature | -40 ... 70 °C (-40 ... 158 °F) |

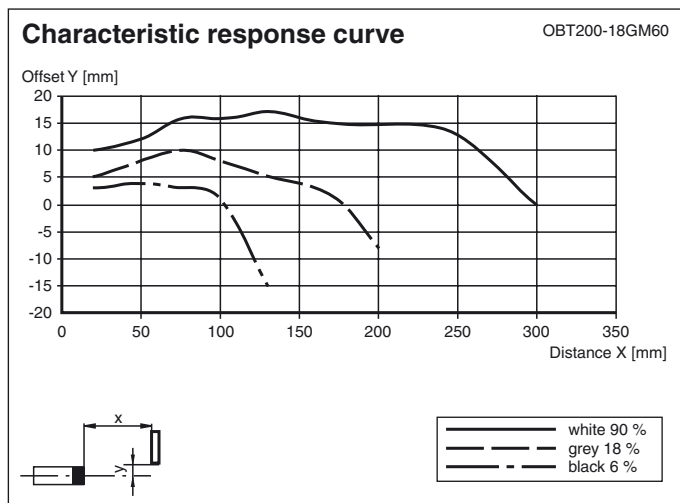
Mechanical specifications

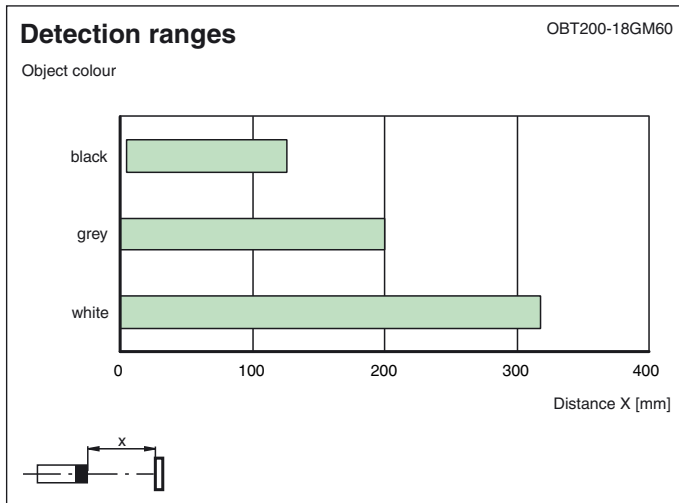
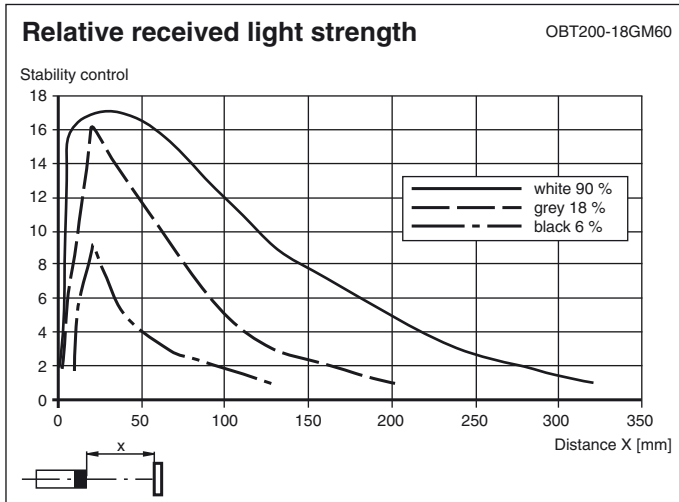
| | |
|-------------------|----------------------|
| Protection degree | IP67 |
| Connection | 2 m fixed cable |
| Material | |
| Housing | brass, nickel-plated |
| Optical face | PC |
| Mass | 110 g |

Approvals and certificates

| | |
|--------------|--|
| CCC approval | Products with a maximum operating voltage of ≤36 V do not bear a CCC marking because they do not require approval. |
|--------------|--|

Curves/Diagrams





Release date: 2011-08-25 10:11 Date of issue: 2011-08-25 087990_eng.xml