



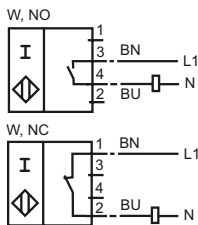
### Model Number

NJ15+U1+W

### Features

- Comfort series
- 15 mm embeddable

### Connection



### Accessories

#### V1-M20-80

Receptacles

#### V1-G

Non pre-wired cable socket

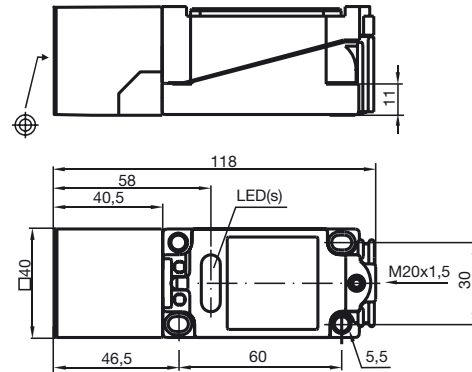
#### V1-W

Non pre-wired cable socket

#### MHW 01

Mounting aid

### Dimensions



### Technical Data

#### General specifications

Switching element function		ACMake/Break function
Rated operating distance	$s_n$	15 mm
Installation		embeddable
Output polarity		AC
Assured operating distance	$s_a$	0 ... 12.15 mm
Reduction factor $r_{Al}$		0.3
Reduction factor $r_{Cu}$		0.25
Reduction factor $r_{V2A}$		0.75

#### Nominal ratings

Operating voltage	$U_B$	20 ... 253 V <sup>1)</sup>
Switching frequency	$f$	0 ... 20 Hz
Hysteresis	$H$	1 ... 10 typ. 5 %
Voltage drop	$U_d$	$\leq 5$ V
Momentary current (20 ms, 0.1 Hz)		0 ... 3000 mA
Operating current	$I_L$	8 ... 500 mA
Off-state current	$I_r$	0.5 ... 1.95 mA typ. 1.2 mA
Operating voltage display		LED, green
Indication of the switching state		LED, yellow

#### Ambient conditions

Ambient temperature	-25 ... 70 °C (248 ... 343 K)
Storage temperature	-25 ... 85 °C (248 ... 358 K)

#### Mechanical specifications

Connection type	terminal compartment
Core cross-section	up to 2.5 mm <sup>2</sup>
Housing material	PBT
Sensing face	PBT
Protection degree	IP68
Note	<sup>1)</sup> In the temperature range below 0 °C, permissible operating voltage $U_b$ 80...253 V Safety fuse $\leq 2$ A (quick-blow) according to IEC 60127-2 Sheet 1 Recommendation: after a short circuit, check that the device is functioning correctly.

#### Compliance with standards and directives

Standard conformity	
Standards	EN 60947-5-2:2007 IEC 60947-5-2:2007

#### Approvals and certificates

CCC approval	Certified by China Compulsory Certification (CCC)
--------------	---